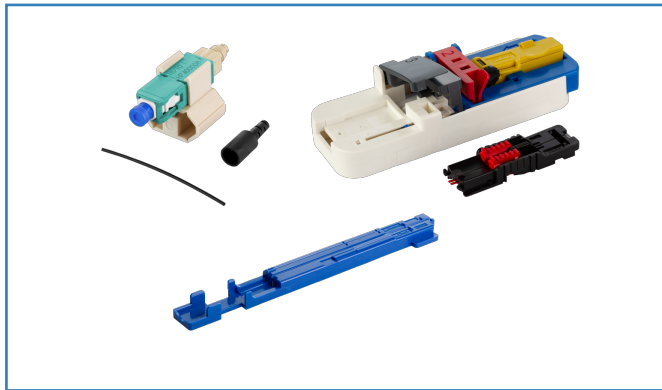


## Data sheet

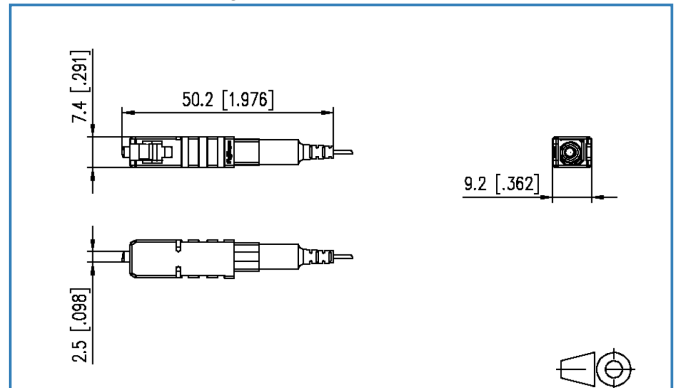
**OpDAT FAST™ connector kit SC PC OM3/OM4**  
**20 pieces for buffered fibers Ø 0.25 + 0.9 mm**  
**incl. cleaver set and fiber guide**

P/N  
**1509MAE002C-F**  
**EAN 4251394629681**  
 2019/09/07

### Illustrations



Dimensional drawing



See enlarged drawings at the end of document

### Product specification

- Field-attachable fiber optic connector for multimode technology
- no polishing, no gluing during assembly on site
- simple, easy to learn, fast and cost-effective installation in less than two minutes
- Available with connector types LC and SC for multimode (suitable for OM3 and OM4). OM2 versions on request.
- plug kits for FO fibers with Ø 0.25 and Ø 0.9 mm
- plug kits for fibre optic cables with Ø 2.0 and Ø 3.0 mm
- the plug can be assembled up to three times
- every plug has a serial number, so that traceability is possible at any time
- Included in the scope of delivery depending on the variant:
  - a maintenance-free separator (Cleaver). The Cleaver can be used up to 200 times.
  - a cable assembly kit for easy cable assembly
  - a fiber guide for easy insertion of the fiber into the connector
- fields of application:
  - repairs in the field
  - in areas which are difficult to access or limited in space
- Versions for fibers: 10 pieces without tools / 20 or 100 pieces with Cleaver and fibre guide
- Variants for cables: 10 pieces without tools / 20 or 100 pieces with Cleaver, cable assembly set and fibre guide



Data sheet

**OpDAT FAST™ connector kit SC PC OM3/OM4**  
**20 pieces for buffered fibers Ø 0.25 + 0.9 mm**  
**incl. cleaver set and fiber guide**

P/N  
 1509MAEO002C-F  
 EAN 4251394629681  
 2019/09/07

## Technical Data

### General Data

Fields of application	Structured building cabling, Consolidation points Office Fiber to the Desk, Data center
Design	plug, field assembly
Transmission technology	Fiber optic
Color	aqua
Dimensions	
Dimension (L x W x H)	50 mm x 8.99 mm x 7.39 mm
Dimension (L x W x H)	1.968 in. x 0.353 in. x 0.29 in.
Mode type of the fiber	Multimode

### Connections/interfaces

Connector technology interface 1	mechanical splice, fibre cut straight
Connector technology interface 2	SC
Single fibre diameter (min. - max.)	
Single fibre diameter	0.9 mm mm
Cable access/outlet	180°

### Electrical characteristics

Insertion loss	0.2 bis 0.4 dB dB
Return loss	min. 35 dB dB

### Mechanical characteristics

Connector type	simplex
Mounting method	snap-in function

### Materials and material properties

Material - Housing	Plastics
Material - Cable boot	elastomer, flame-retardant and halogen free
Material - Ferrule	Ceramic
Material - Dust protection	elastomer, flame-retardant and halogen free
RoHS	compliant

Data sheet

Page 3/4

## OpDAT FAST™ connector kit SC PC OM3/OM4 20 pieces for buffered fibers Ø 0.25 + 0.9 mm incl. cleaver set and fiber guide

P/N  
1509MAEO002C-F  
EAN 4251394629681  
2019/09/07

### Technical Data

#### Environmental conditions

Temperature (min. - max.)

Temperature - Storage °C	-25 °C - 70 °C
Temperature - Storage °F	-13 °F - 158 °F
Temperature - Operating °C	-25 °C - 70 °C
Temperature - Operating °F	-13 °F - 158 °F

#### The product meets the following standards

Fibre optic connector interfaces	IEC 61754-4 / ANSI/TIA-604-3
Fibre optic connector interfaces	IEC 61754-4

#### Classifications

ETIM 7.0	EC001122
----------	----------



Data sheet

Page 4/4

**OpDAT FAST™ connector kit SC PC OM3/OM4**  
**20 pieces for buffered fibers Ø 0.25 + 0.9 mm**  
**incl. cleaver set and fiber guide**

P/N  
1509MAE0002C-F  
EAN 4251394629681  
2019/09/07

## Illustrations

Dimensional drawing

